

Subsea Tensile Link SUBT-2.0

The Subsea Tensile Link is specially designed for working in subsea conditions and is used for measuring tensile loads. With an optional integral 4-20mA amplifier the load cell comes complete with a rugged peli display case and subsea rated signal cable to customer specific lengths or alternatively can be supplied with a TW-2.0-S Display.

Fully sealed with a subsea connector and pressure tested to over 250Bar the load cell is the ideal instrument for easily and accurately measuring subsea loads.



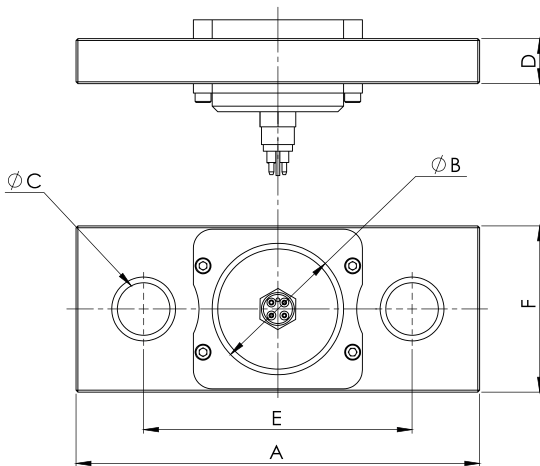
Features:

- Rugged design
- Optional internal 4-20mA or RS485 Amplifier for longer cable lengths
- Subsea connector and cable
- Designed for standard Fed Spec Shackle sizes

Applications:

- Subsea moorings
- Subsea vehicle towing tension monitoring
- Anchoring tension monitoring
- Cable recovery/repair

Dimensional Data



Load Capacity Tonnes	Part Number	A	ØB	ØC	D	E	F	Accuracy FRO	Proof test % Load Capacity	Resolution (kg)
1	0001 - 1194	215	82.5	28	24	145	86.5	±0.2	200	1
2	0001 - 1195	215	82.5	28	24	145	86.5	±0.2	200	1
5	0001 - 1196	215	82.5	28	28	145	86.5	±0.2	200	2
12	0001 - 1197	240	82.5	40	38	150	98	±0.2	200	10
20	0001 - 1198	320	82.5	53	48	190	108	±0.2	200	10
25	0001 - 1199	325	82.5	53	48	195	120	±0.2	200	10
40	0001 - 1200	410	102	74	50	242	150	±0.2	150	50
50	0001 - 1201	410	102	74	58	234	150	±0.2	150	50
100	0001 - 1202	485	107	99	70	275	180	±0.3	150	100

Specification

Link Material:	Stainless steel or sheradised steel
Internal Amplifier:	3 wire 4-20mA / RS485 ASCII / RS485 MODBUS / 0-10V
Connector:	MCBH-3MP-SS subsea connector / BH4MP subsea connector / 4 6.5 MBORA subsea connector
Sealing:	Subsea rated with o ring seals - pressure tested to 250Bar
Operating Temperature:	-10°C to +60°C
Display Unit:	Peli case enclosure with viewing window as per display's datasheet / 5 digit bright led display / on/off switch tare switch / mains (240vac) rechargeable / battery life will give approx. 12+ hours.
Cable:	Sub-Sea moulded cable. Tensile link end is connected via an over moulded subsea connector. Display end is connected via a CA connector.
Calibration:	Supplied with calibration, proof load certificates to BS EN 10002/2 1992 and pressure test certificates.
Packaging:	Packaged in custom built wooden case