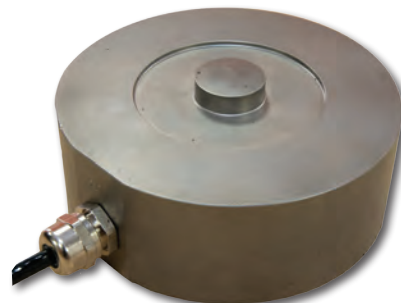
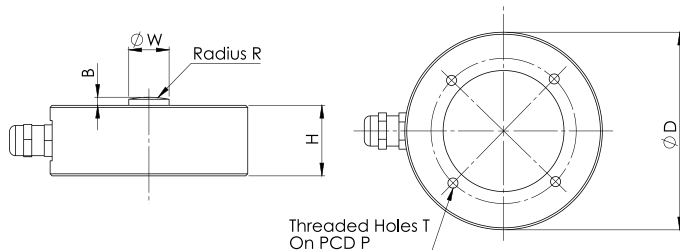


Low Profile Compressive Load Cell CCLP-1.0

Low Profile Compressive Load Cell - 0.5t to 20t

Dimensional Data



Features:

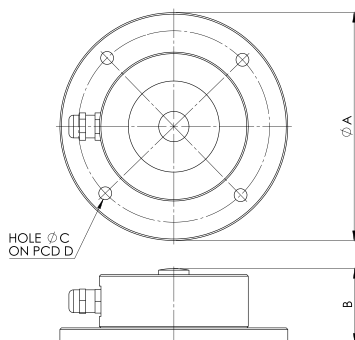
- Low height
- Stainless steel
- Sealed to IP68
- Compression Load Cell
- Integral load button
- Welded cover

Capacity (t)	Part Number	H	B	W	R	D	T	P
0.5	0001 - 1077	21	4	10	50	59	M3x7	42
1	0001 - 1078	21	4	10	50	59	M3x7	42
2	0001 - 1079	35	5	20	150	98	M6x18	72
5	0001 - 1080	35	5	20	150	98	M6x18	72
10	0001 - 1081	35	5	20	150	98	M6x18	72
20	0001 - 1082	35	5	20	150	98	M6x18	72

Applications:

- Testing and certification
- Test stands
- Vessel weighing

Load cell with optional base



Capacity (t)	Part Numbers	ØA	B	ØC	D
0.5	0001 - 1229	80	30	5.5	66
1	0001 - 1230	80	30	5.5	66
2	0001 - 1231	150	50	9	120
5	0001 - 1232	150	50	9	120
10	0001 - 1240	150	50	9	120
20	0001 - 1233	150	50	9	120

Specification

Capacities	0.5, 1, 2, 5, 10, 20 tonnes
Full load output	2.0 (±0.25%) mV/V
Zero load output	<±2.0 %
Excitation (max)	10 (15) V
Accuracy	<0.25 %
Repeatability	<0.1 %
Input resistance	750 (±20) Ω
Output resistance	700 (±2) Ω
Compensated temp. range	-10 to +40 °C
Operating temp. range	-20 to +60 °C
Temp. coefficient on zero	<0.005 % Capacity/°C
Temp coefficient on span	<0.005 % Capacity/°C
Safe overload	150 %
Insulation	500MΩhms @ 100Vdc
Environmental protection	IP68

