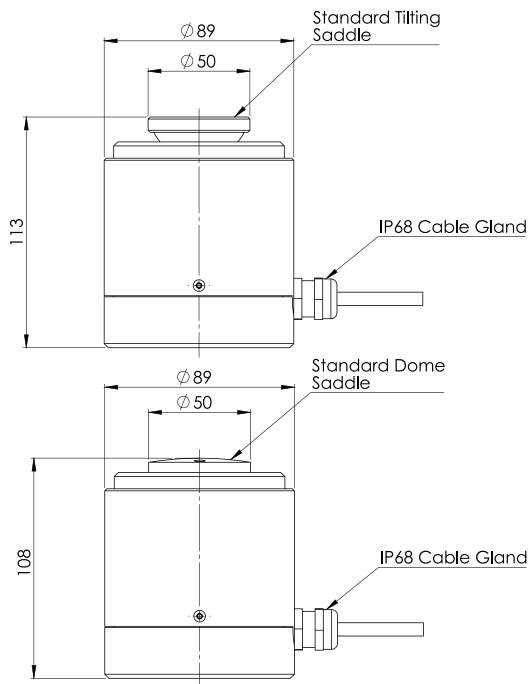


Small Compressive Load Cell CCSM-2.0

DLM's range of Small Compressive Load Cells can be used independently or in combination as part of weighing platforms. These Small Compressive Load Cells are available from 10t to 50t and manufactured using high grade stainless steel, making these Load Cells particularly suited to rugged environments and the hire industry amongst others. Other sized compressives can be designed upon request.

Dimensional Data



Features:

- Small, compact and portable design
- Optional user replaceable tilting or dome saddle
- Stainless steel construction
- Proven design

Applications:

- Tank weighing
- Hydraulic lifting operations
- Vessel weighing
- Certification

Load Capacity (Tonnes)	Description	Part Number	Accuracy % FRO	Proof Load % Load Capacity	Weight (kg)	Resolution (kg)
10	Dome Saddle	0001 – 1073	<±0.5	150	4.5	10
10	Tilting Saddle	0001 – 1223	<±0.5	150	4.5	10
20	Dome Saddle	0001 – 1074	<±0.5	150	4.5	10
20	Tilting Saddle	0001 – 1224	<±0.5	150	4.5	10
30	Dome Saddle	0001 – 1075	<±0.5	150	4.5	10
30	Tilting Saddle	0001 – 1225	<±0.5	150	4.5	10
50	Dome Saddle	0001 – 1076	<±0.5	150	4.5	10
50	Tilting Saddle	0001 – 1226	<±0.5	150	4.5	10

Specification

Loadcell Material:	Stainless steel
Bridge Resistance:	700Ω
Saddle Options:	Dome saddle / tilting saddle
Operating Temperature range:	-10°C to +60°C
Compatible Display Units:	TW-2.0-S hand held display / Custom built display
Cable:	10m signal cable standard (increased lengths available on request). / RM12 connector termination to display
Calibration:	Supplied with calibration, proof load and test certificates to BS EN 10002/2 1992
Packaging:	Packaged in rugged storm/Peli watertight case