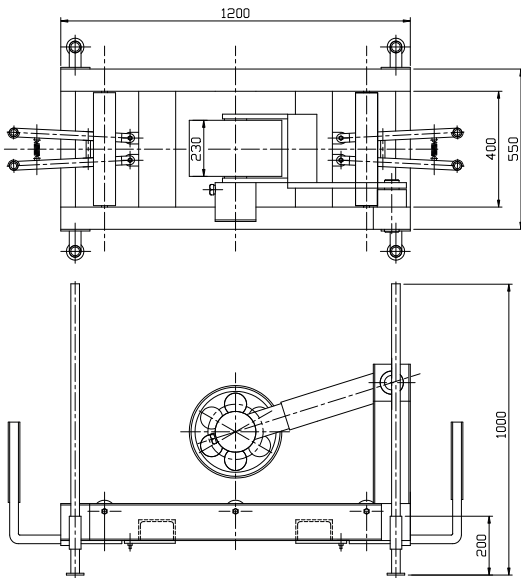


# Standard Cable Counter SCC-2.0

The DLM Standard Cable Counter, is as its name suggests a widely used and highly effective cable measuring device. Frequently used on cable laying vessels it combines durable, robust design with high reliability.

The counter is fitted with a measuring wheel which supplies data via the sealed rotary quadrature shaft encoder. The counter can be supplied with a DLM display cabinet or as a stand alone unit supplying just the quadrature encoder output for integration into clients existing systems.

## Dimensional Data



## Key features:

- Wheel provides excellent traction with 70-80 durometer polyurethane cover
- Adjustable frame height
- Sealed rotary enclosure with IP67 Brass connector
- Supplied with signal cable and displays as required

## Applications:

- Cable laying operations
- Industrial cable measurement
- Cable transfer
- Cable loading

## Counter Frame Specification

Part number: 0001 – 1212

Frame height range:	1 metre
Roller wheel width:	230mm
Suitable for cable diameters:	17mm to 230mm
Track width:	400mm
Total Length:	1.2metre
Cable guidance arms max opening:	420mm
Encoder output:	Push Pull Quadrature
Wheel distance per revolution:	1 metre

## Display Specification

Part number: 0001 – 1228

Enclosure:	Rugged polyglass enclosure
Speed/distance Meter:	Bright red digital LED Red Lion PAXI meter
Exterior Switches:	IP67 rated On/Off switch / IP67 rated reset switch
Re-transmission:	RS232, RS485
Power Supply:	90-250VAC power supply
Counter Cable Connector:	IP67 brass LMG
Counter Accuracy:	1% (assuming clean roller and no cable slip)
Signal Cable:	20 metres as standard