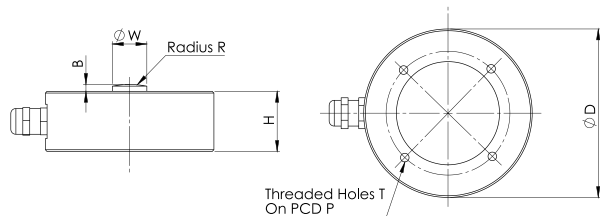


# Low Profile Compressive Load Cell

## CCLP-1.0

Low Profile Compressive Load Cell - 0.5t to 20t

### Dimensional Data



### Features:

- Low height
- Stainless steel
- Sealed to IP68
- Compression load cell
- Integral load button
- Welded cover

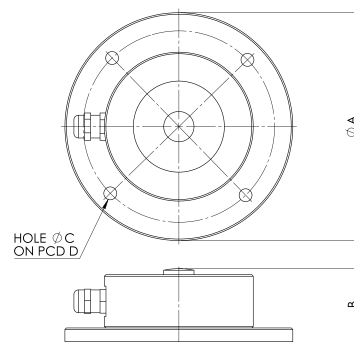
### Applications:

- Testing and certification
- Test stands
- Vessel weighing

Capacity (t)	Part Number	H	B	W	R	D	T	P
0.5	0001-1077	21	4	10	50	59	M3x7	42
1	0001-1078	21	4	10	50	59	M3x7	42
2	0001-1079	35	5	20	150	98	M6x18	72
5	0001-1080	35	5	20	150	98	M6x18	72
10	0001-1081	35	5	20	150	98	M6x18	72
20	0001-1082	35	5	20	150	98	M6x18	72

### Load cell with optional base

Capacity (t)	Part Numbers	ØA	B	ØC	D
0.5	0001-1229	80	30	5.5	66
1	0001-1230	80	30	5.5	66
2	0001-1231	150	50	9	120
5	0001-1232	150	50	9	120
10	0001-1240	150	50	9	120
20	0001-1233	150	50	9	120



### Specification

<b>Capacities</b>	0.5, 1, 2, 5, 10, 20 tonnes
<b>Full load output</b>	2.0 (±0.25%) mV/V
<b>Zero load output</b>	<±2.0 %
<b>Excitation (max)</b>	10 (15) V
<b>Accuracy</b>	<0.25 %
<b>Repeatability</b>	<0.1 %
<b>Input resistance</b>	750 (±20) Ω
<b>Output resistance</b>	700 (±2) Ω
<b>Compensated temp. range</b>	-10 to +40 °C
<b>Operating temp. range</b>	-20 to +60 °C
<b>Temp. coefficient on zero</b>	<0.005 % Capacity/°C
<b>Temp. coefficient on span</b>	<0.005 % Capacity/°C
<b>Safe overload</b>	150 %
<b>Insulation</b>	500MΩ at 100Vdc
<b>Environmental protection</b>	IP68

