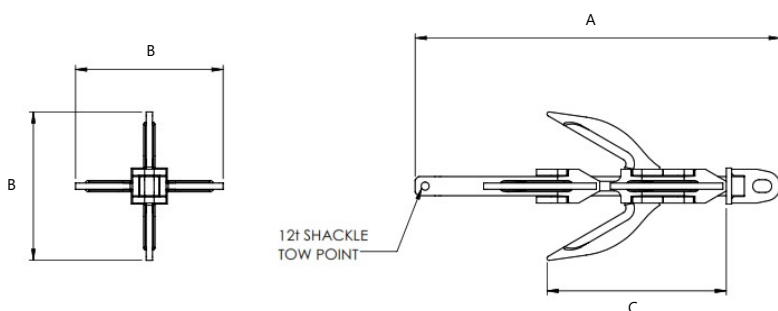


Sliding Prong Grapnel

The Sliding Prong Grapnel comprises of a square cross-section shank on which are slid double prongs in alternate orientations. Broken or damaged prongs can be slipped off and renewed. Prongs come in three sizes, known as A, B and C. Type C is the largest prong and is usually used when the cable is believed to be buried.

The Sliding Prong Grapnel is designed for use over sand, clay or mud.



Features:

- Manufactured from high strength structural steel
- Rounded edge on wings to protect cable sheaves
- Removable/replaceable prongs in the event of damage
- Painted using marine grade paint

Applications:

- PLGR (Pre Lay Grapnel Run)
- Designed for use over sand, clay or mud seabeds
- Recovering or clearing cables which are believed to be buried
- Maintenance of cable systems

Dimensions

Part Number	Description	A	B	C	WLL	Proof Load
0001-1170	Sliding Prong Type A (4 Prongs)	1730mm	400mm	350mm	12t	18t
0001-1171	Sliding Prong Type B (3 Prongs)	1730mm	700mm	550mm	12t	18t
0001-1172	Sliding Prong Type C (2 Prongs)	1730mm	1000mm	880mm	12t	18t

Spares and Accessories Table

Part Number	Description
0070-0048	Sliding Prong Shaft
0070-0049	Sliding Prong Type A
0070-0050	Sliding Prong Type B
0070-0051	Sliding Prong Type C

*Not supplied with shackles